

Article no. _____ Order no. _____

AKA-DanBox Boogie box

Customer/stamp:

Date:	Quantity:	<input type="checkbox"/> Offer
Req. no.		
Delivery date:		<input type="checkbox"/> Order
Send to AKA-Danbox fax no. +45 76 98 52 01 or e-mail: post@danbox.dk		

Note: Always 227kg drawer lid

Individual Boogie box

Location:

- Right side Left side Other: _____

Box Materials:

- Galvanized Stainless-brushed Seawater. alu.
 Stainless-polished Natural-alu. 3mm full. alu.

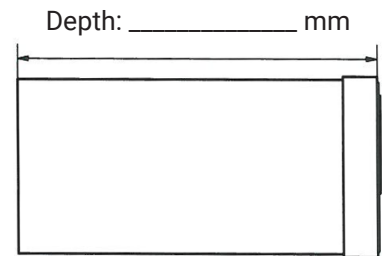
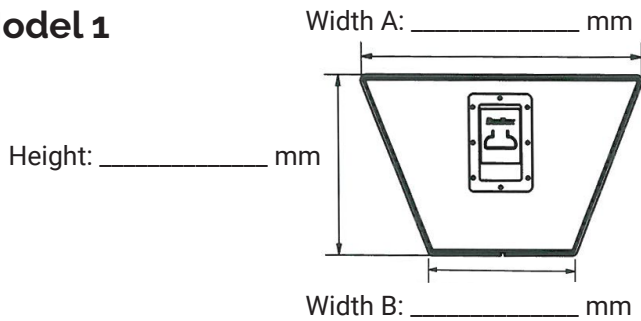
Accessories:

- Lids Quantity _____

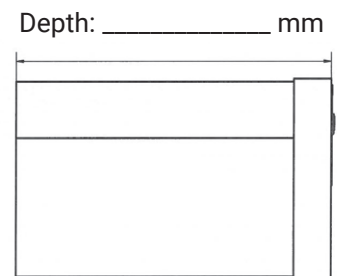
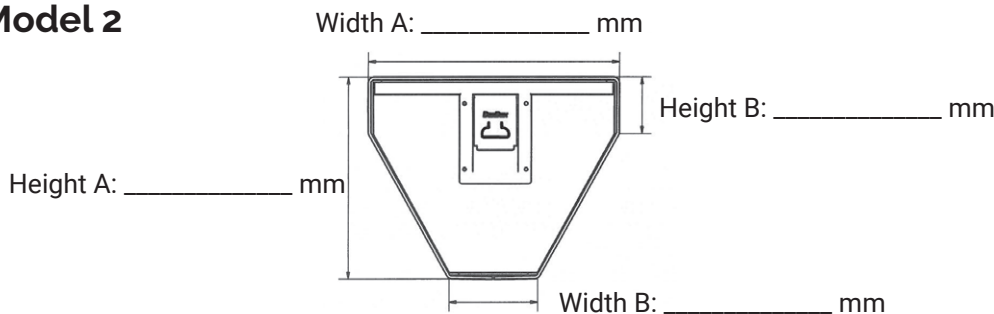
Lid Materials:

- Galvanized Stainless-brushed Seawater. alu.
 Stainless-polished Natural-alu.

Model 1



Model 2



Other accessories or remarks: